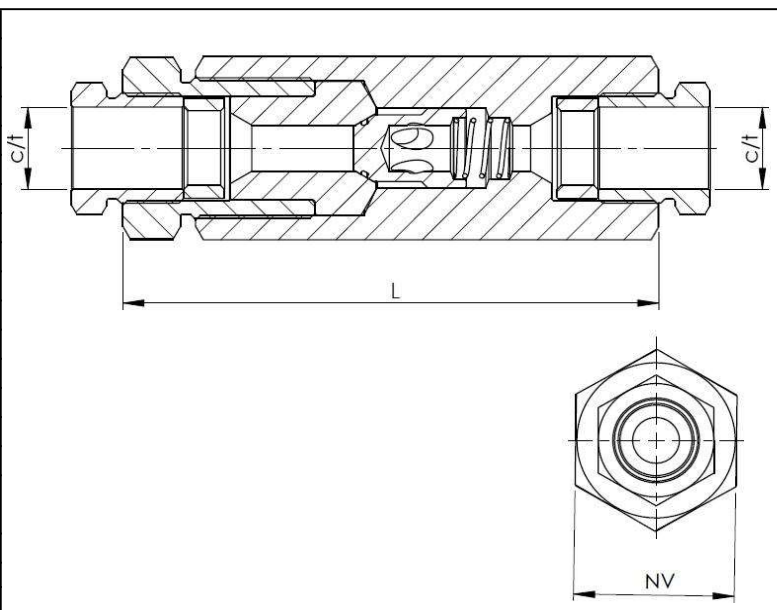


Check valve with O-ring and cone for hydrogen (901020-62)

Operating pressure:	1500 bar/21.500 psi
Temperature:	-20°C to +180°C
Crack pressure:	2 bar/29 psi
Material body:	AISI316L
Material internal parts:	AISI316L
Spring:	AISI316
O-ring:	HNBR
Connections:	Cone and Thread connection
Seat tightness test:	EN10266-1 P12, 1650 bar water - Leak rate A
Compliance:	PED (2014/68/EU)



Catalogue number	c/t ["]	NV [mm]	L [mm]	Kv-value
901020-62 1/4	1/4"	22	75	0,26
901020-62 3/8	3/8"	27	86	0,54
901020-62 9/16	9/16"	36	109	2,1
901020-62 3/4	3/4"	50	140	4,1

Datasheet subject to change without notice

Revision 2