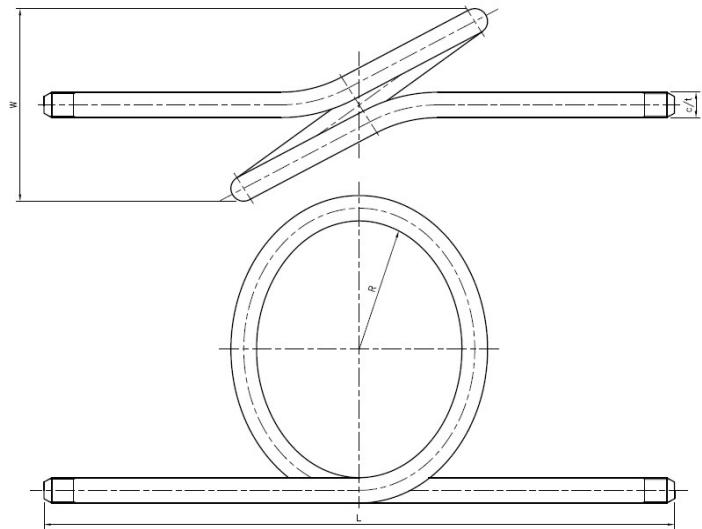


Nipples with pigs-tail (90206)

Operating pressure:	1.500 bar/21.500psi
Temperature:	-60°C to +200°C
Material body:	AISI316L
Connections:	Cone and thread



Catalogue number	L [mm]	c/t ["]	W [mm]	R [mm]
90206 3/8x233	233	3/8	72	48
90206 3/8x256	256	3/8	72	48

Datasheet subject to change without notice

Revision 0