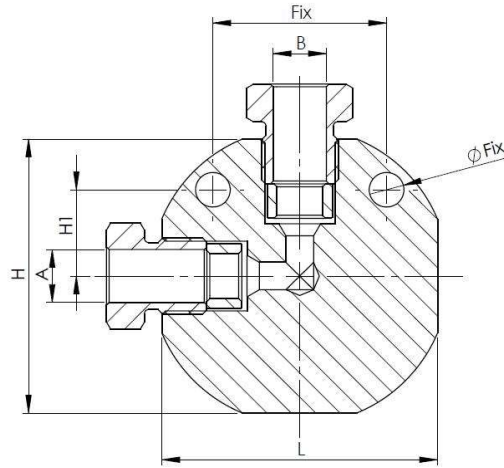
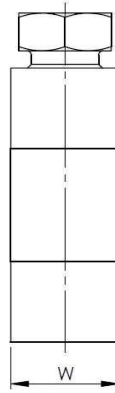


Elbow coupling (9065)

Operating pressure:	1.500 bar
Temperature:	-60°C to +200°C
Material body:	AISI316L
Connections:	Cone and thread
Tests:	EN10266-1 P10,
Compliance:	PED (2014/68/EU)



Catalogue number	Fix Ø [mm]	Fix [mm]	L [mm]	H [mm]	W [mm]	L1 [mm]	A ["]	B ["]
9065 1/4	ø5,6	25	39	39	16	12,5	1/4	1/4
9065 3/8	ø6,4	32	50,8	50,8	20	16	3/8	3/8
9065 9/16	ø6,4	42,6	63,5	63,5	28	21,3	9/16	9/16
9065 3/4	ø8,4	50,8	76,2	76,2	35	25,4	3/4	3/4
9065 1	ø13	70	120	105	45	35	1	1

Datasheet subject to change without notice

Revision 2