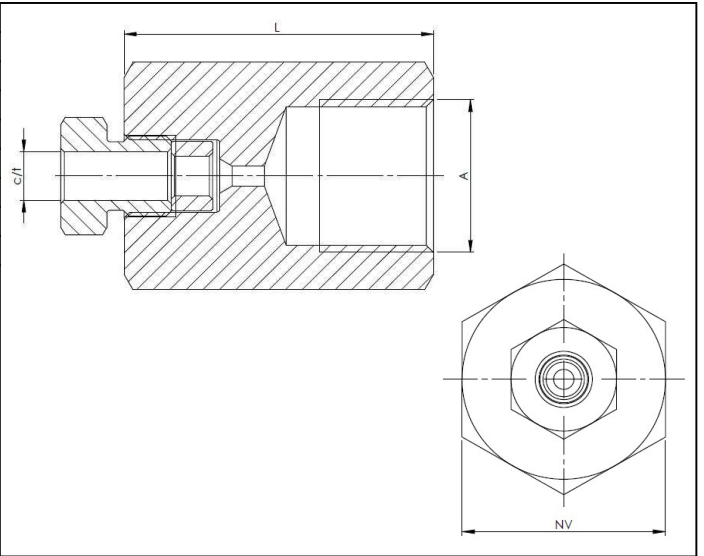


# Adapter female-female (9066)

Operating pressure:	1.050 bar/15.000psi
Temperature:	-60°C to +200°C
Material body:	AISI316L
Connections:	Cone and thread / female G pipe thread
G-mål	Pipe thread ISO 288/1



Catalogue number	L [mm]	c/t ["]	NV [mm]	A ["]
9066 1/4x1/4	35	1/4	22	G1/4
9066 1/4x1/2	42	1/4	27	G1/2
9066 3/8x1/2	44	3/8	27	6 1/2
9066 3/8x3/4	57	3/8	36	G3/4
9066 3/8xM20x1.5	40	3/8	27	M20x1.5
9066 9/16x3/8	46	9/16	27	G3/8

Datasheet subject to change without notice

Revision 0