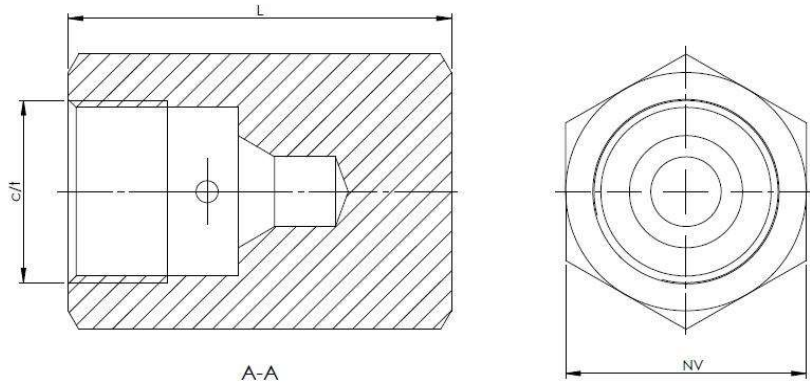


Tubing cap (9075)

Operating pressure:	1.500 bar
Temperature:	-60°C to +200°C
Material body:	AISI316L
Connections:	Cone and thread



Catalogue number	NV [mm]	c/t ["]	L [mm]
9075 1/4	19	1/4	28
9075 3/8	19	3/8	31
9075 9/16	27	9/16	43

Datasheet subject to change without notice

Revision 0

